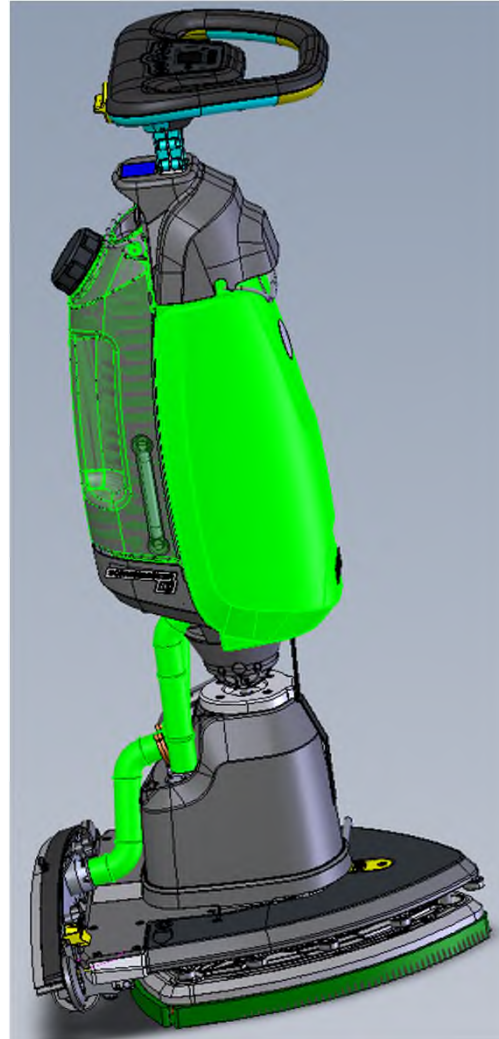
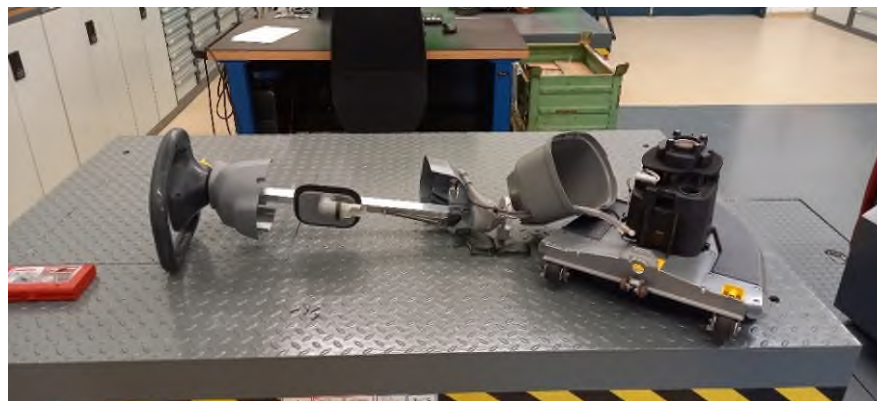
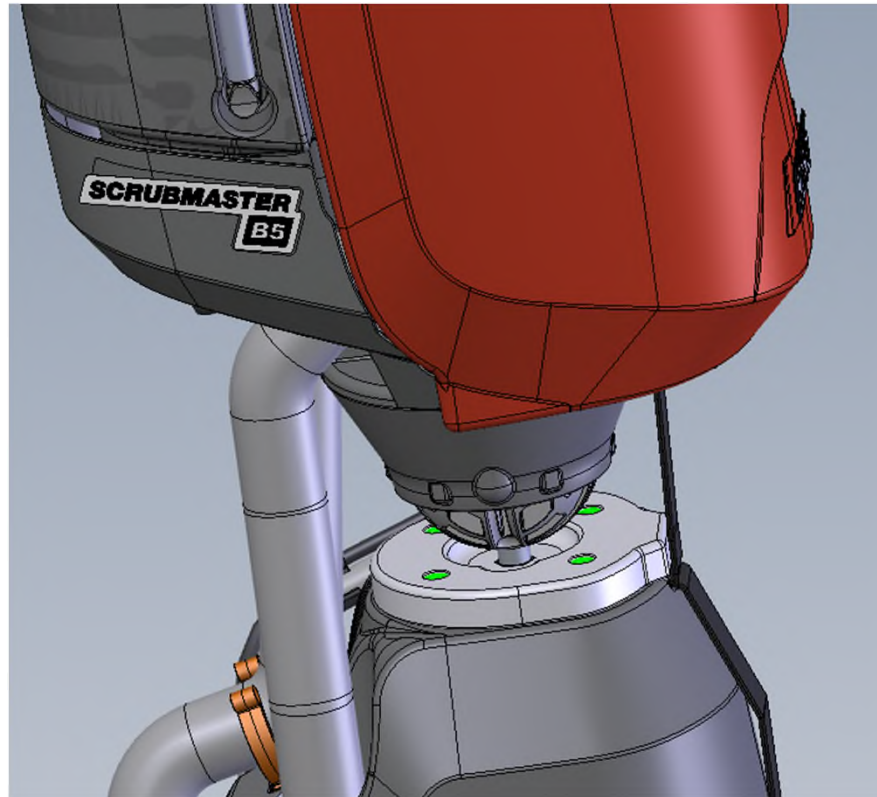


13.2 Access Motors and A1

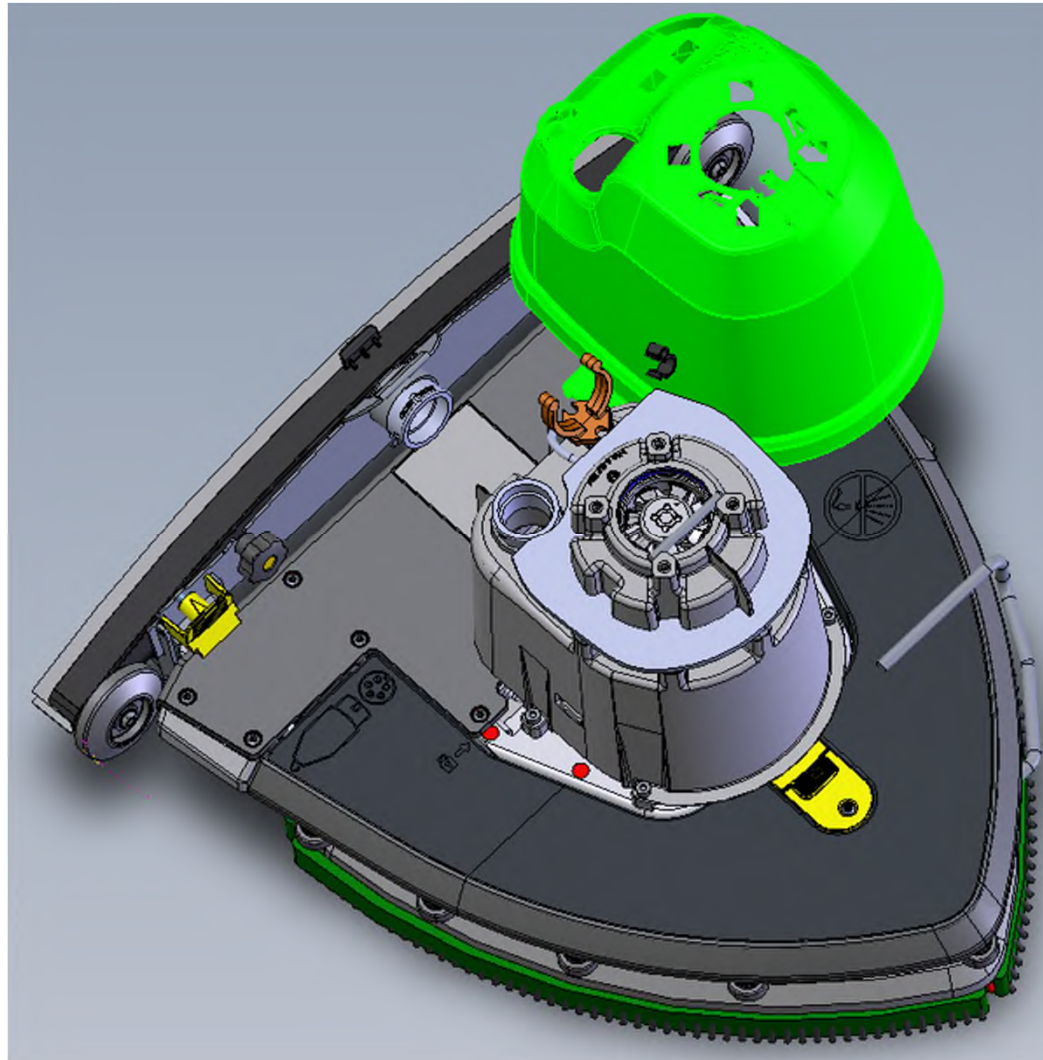
- 1) Remove tanks
- 2) Remove hoses



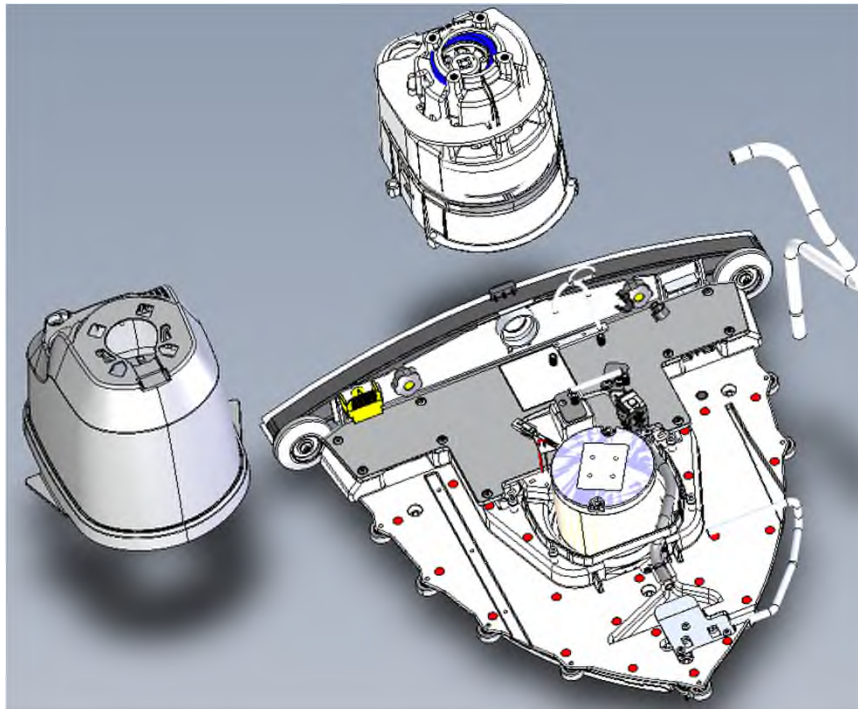
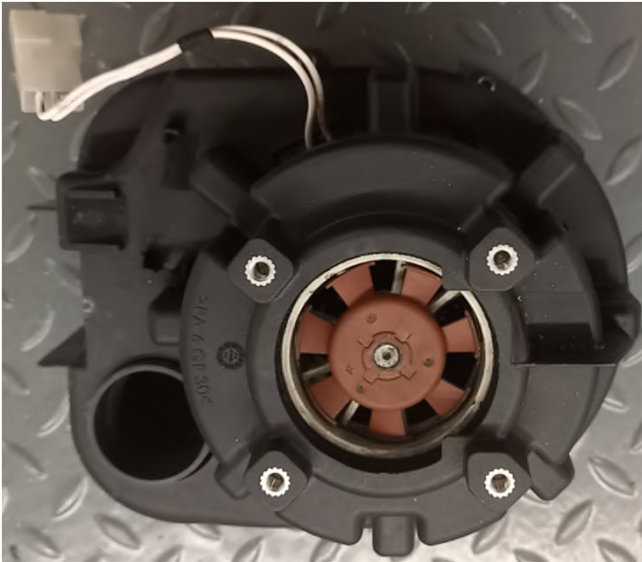
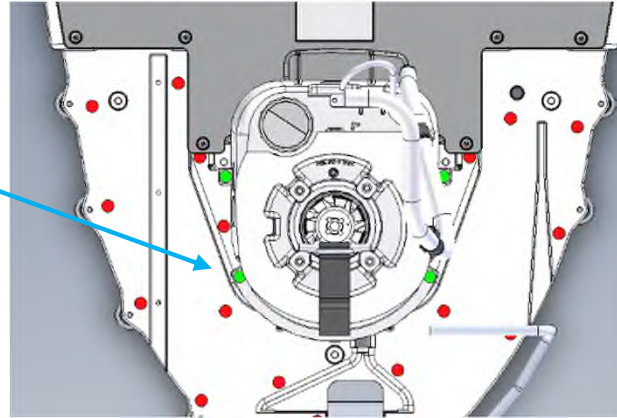
- 3) Loosen (4pcs.) screws
Then tilt the bar to the
side



- 4) Lay the hood up/to the side
(wiring harness (W3) is still connected)

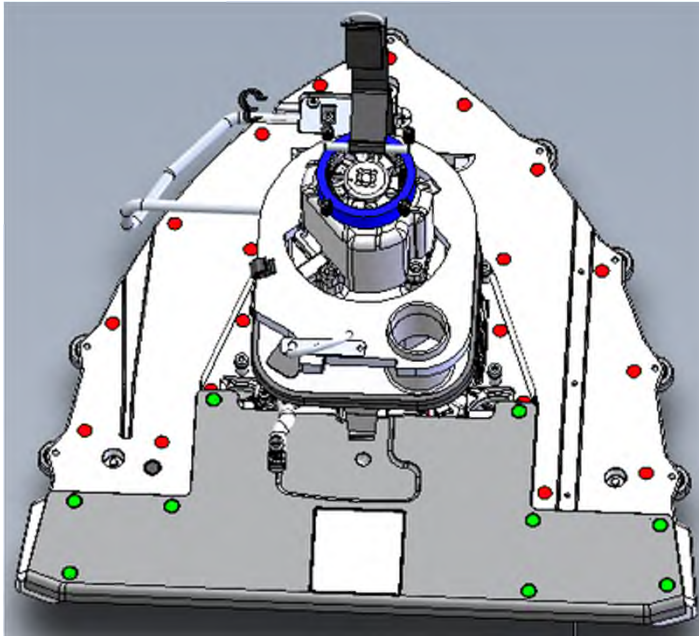


- 5) Pull off the turbine seal upwards
- 6) Pull upwards turbine housing (after loosening the screws)

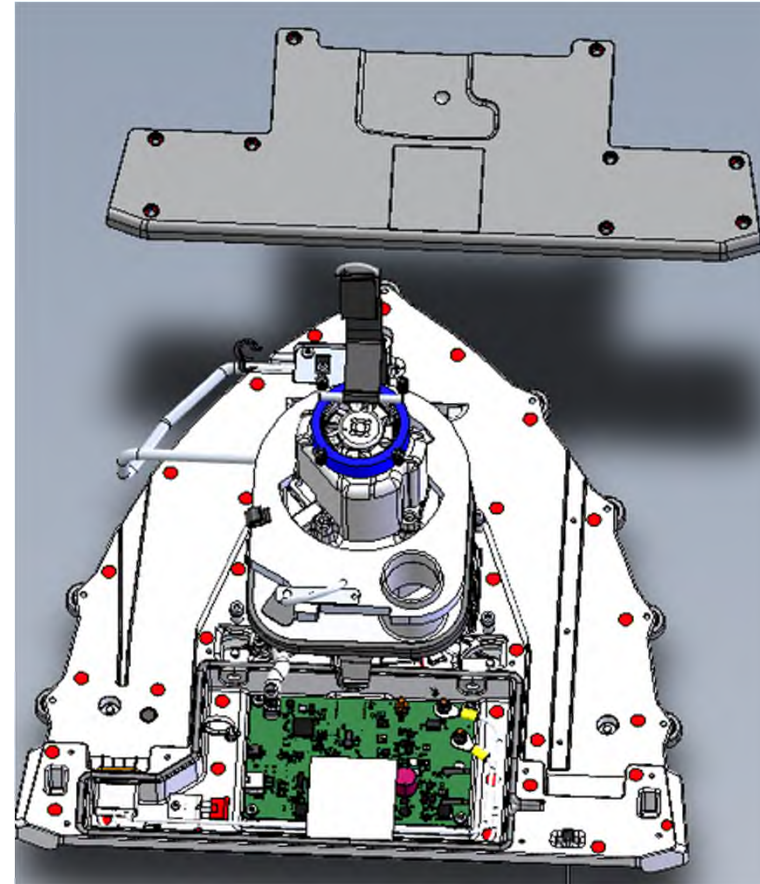


Then the individual parts can be separated

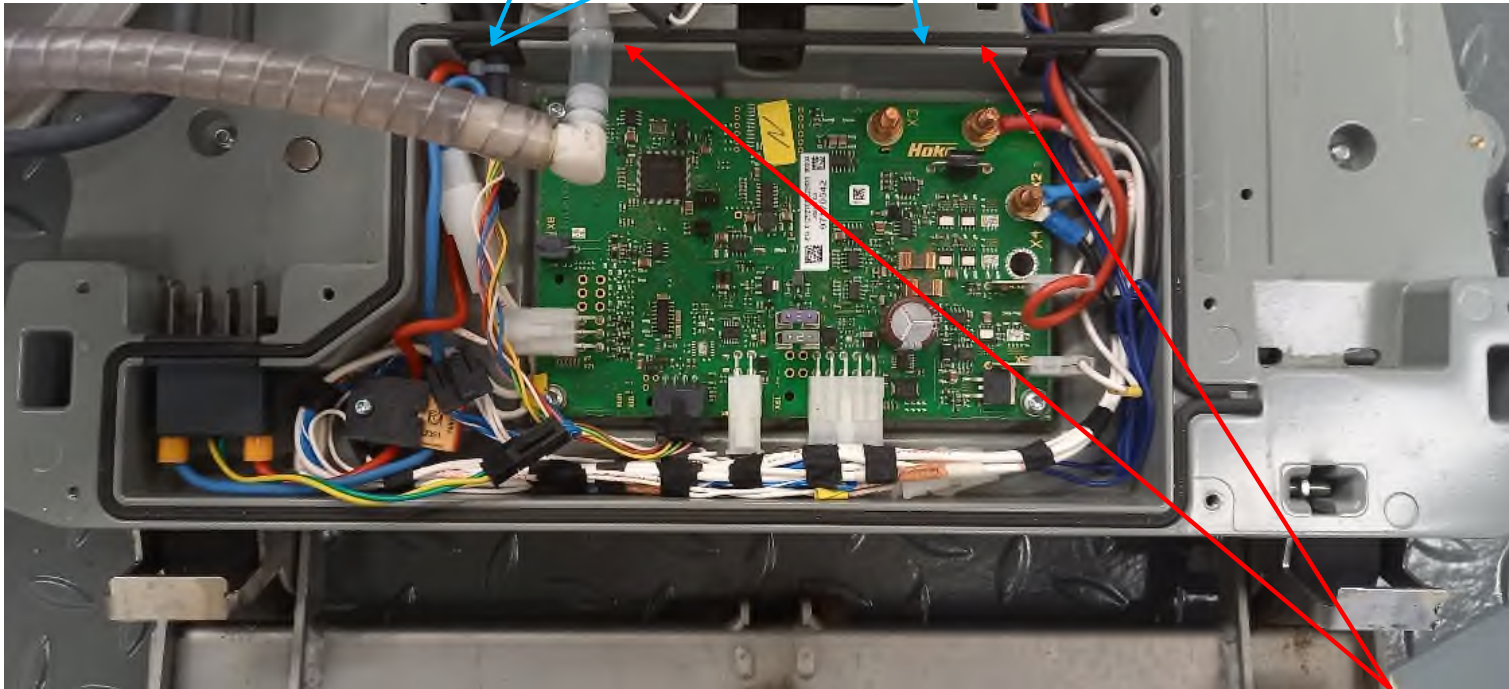
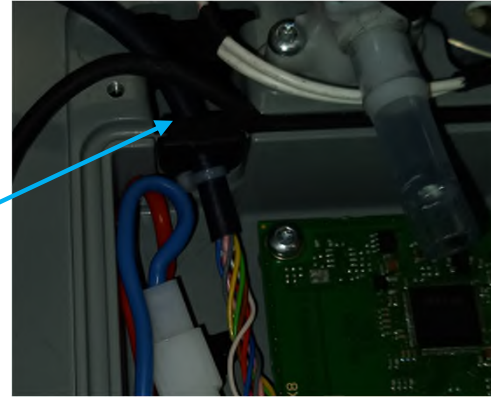
7) Loosen screws (9pcs.)



8) Lift off the cover



When assembling, pay attention to the cable and housing seal properly seated in the housing



The housing seal is partially glued in. When replacing, fix again with Loctide 422 in two places

When assembling, pay attention to the cable and housing seal properly seated in the housing

